

BigAirBag - Cleaning recommendations

General information

- Select cleaning interval according to the degree of contamination.
 - Normal use: Clean once a day
 - Blood or other body fluids: Remove Topsheet immediately and clean
- Contaminations should be removed as soon as possible. Inspect your Topsheet and skirt:
 - Before opening
 - Throughout opening hours
 - Remove Topsheet for cleaning after closing
- Do not clean materials with tools which may damage surfaces. Only use tools described below in the cleaning recommendation of each specific part of the BigAirBag.
- Use the recommended cleaning agent, described below per specific part of the BigAirBag.

TOPSHEET

The Topsheet is the top layer where the users land on and it is attached to the Cover with Velcro. It is made of either a full color Satin material or a PVC material with handpainted branding. About 99% of our Topsheets are satin, a few are PVC. Please see the cleaning process for the Satin Topsheet below. After that, you can find cleaning instructions for PVC Topsheets (which are the same as the instructions for the Cover & Skirt).



Satin Tospheet



PVC Tospheet

Cleaning process for Satin Topsheet:

1. Remove Topsheet from the BigAirBag
2. Clean by treating it with a clothes steamer. Alternatively, have it cleaned at a dry cleaner.

Specs for dry cleaning:

- Dry clean at 60°C / 140°F
 - Use dry cleaner that kills bacteria
 - Portable dry cleaner can be used for ease of use
3. It is not recommended to use the Foam Pit BigAirBag without the Topsheet as this increases wear significantly on the Cover. Therefore, clean the Topsheet before or after opening hours.

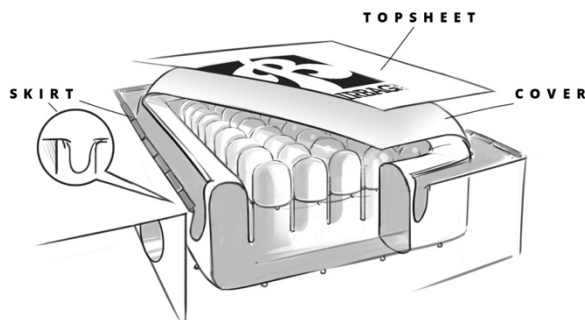
Antimicrobial Topsheets available

Specs:

- Kills micro-organisms and stops growth - No need to wash daily
- Certified under ASTM E2149 - 13a and has B1 Fire retardancy (DIN 4102)
- No increased ecological impact
- No extra cost, same price as normal Topsheet
- We have all your previous designs on file
- Three to four weeks production time
- To order or for more info contact your account manager or info@bigairbag.com

COVER, SKIRTING SYSTEM & PVC TOPSHEET

The remaining parts (Cover & Skirting system) of the Foam Pit BigAirBag are PVC based products. For these, please follow the process mentioned on the next page.



Cover: The layer underneath the satin Topsheet is the cover.

Skirt: The material connecting the BigAirBag to the pit wall.

Recommended cleaning agent for Cover, Skirting System & PVC Topsheet

Regular soap with the following specs:

- Liquid - Mix with water, ratio should be max 5% soap and 95% water
- Green / Eco-Friendly
- Handwashing or dishwashing soap
- No alcohol-based products

Cleaning process:

1. Lightly brush off any dirt/foam particles with a regular dustpan brush (no sharp edges)
2. Rinse with moist antimicrobial cloth using only water
3. Apply recommended cleaning agent (see above) in the indicated concentration or apply with a clean antimicrobial cloth.
4. Allow cleaning agent to act for 2 – 5 minutes and wipe off with a clean & dry towel
5. Wait till it's dry before attaching the Topsheet.



INFORMATION

BigAirBag B.V. assumes no liability for the cleaning agents and their applications recommended here. Internal tests of other cleaning agents can be made on request. The recommendations presented here exclusively serve the orientational purposes. When applying the above-listed cleaning agents, it is imperative to observe their respective instructions of use.